

**MODEL: IRT-MR119EN**
**UNDERCOUNTER:  
Pizza Prep Tables**

### General Strengths

- ✓ **Energy efficiency higher.** R290 refrigerant with electric fans and evaporative tray without electric resistances
- ✓ **Sanitation.** The interior cabinet is built with rounded corners (extensive radius for easy cleaning). Quick ability to take off shelves and slides for interior cleaning. Each cabinet has a drain at the bottom of the unit. When cleaning the unit make sure the drain hose is routed to a floor drain.
- ✓ **Doors & Drawers.** Self-closing door system with permanent pressure. Stay open feature included when door remains open after 95 degrees. All doors include triple chamber door gaskets, easy to remove and snap in.
- ✓ **Control systems.** Greater ability for the adjustment of temperature range as per the end user's requirements.
- ✓ **100% Tested.** All condenser units are 100% tested, in helium chambers for refrigerant leak detections.
- ✓ **Certified.** Audited and Certified by INTERTEK for compliance with UL 471 and NSF 7. AENOR audited and certified by internationally recognized firm. ISO 9001:2015 (Quality); ISO 14001:2015 (Environmental); OSHAS 18001:2007 (Prevention and Worker Safety)


**DOE COMPLIANT**

| MODEL       | Dimensions<br>(inches) (mm) |        |        | Nº<br>Doors<br>/Pans | Nº<br>Shelves/<br>Lids | Ref. | Ref.<br>Weight<br>(Lbs.) (gr.) | Temp.<br>Range<br>(°F) (°C) | Capacity<br>(Cu. Ft.)<br>(L) | Cond.<br>Unit.<br>H.P. | Case<br>Amps<br>115 V. | Crated<br>Weight<br>(Lbs.)<br>(Kg.) |
|-------------|-----------------------------|--------|--------|----------------------|------------------------|------|--------------------------------|-----------------------------|------------------------------|------------------------|------------------------|-------------------------------------|
|             | W                           | D      | H      |                      |                        |      |                                |                             |                              |                        |                        |                                     |
| IRT-MR119EN | 119-1/4                     | 32-5/8 | 40-3/8 | 4 / 16               | 8 / 3                  | R290 | 0.29                           | 35°F/41°F                   | 37                           | 3/4                    | 6.9                    | 800                                 |
|             | 3030                        | 830    | 1025   |                      |                        |      |                                |                             |                              |                        |                        |                                     |

FTL LISTED TO UL471 STANDARD AND SANITATION CLASSIFIED TO NSF7 - WE RESERVE THE RIGHT TO CHANGE SPECIFICATIONS WITHOUT PRIOR NOTICE

**MODEL: IRT-MR119EN**

**UNDERCOUNTER:  
Pizza Prep Tables**

**STANDARD FEATURES**

➤ **Exterior**

- AISI 304 Stainless Steel Top,
- AISI 430 Stainless Steel.

➤ **Interior**

- AISI 430 Stainless Steel,
- Internal drain plug for easy cleaning,
- Sealed interior floors and rounded cabinet corners.

➤ **Insulation**

- CFC-Free polyurethane insulation, entire cabinet structure is foamed-in place using a high-density polyurethane insulation,
- Low GWP & Zero ODP effect.

➤ **Doors**

- Polyurethane insulated doors,
- Self closing doors with stay open feature,
- Stainless Steel heavy-duty hinges,
- Triple chamber snap in door gaskets for easy removal and cleaning,
- Field reversible doors,
- Door locks,
- Full-height door opening: 21-5/8"x20-5/8" (550x523 mm).

➤ **Casters**

- 4" diameter casters,
- Locks provided on front set.

➤ **Salad Top**

- Stainless Steel insulated lid,
- Top includes 1/3 size polycarbonate food pans, (16) pans,
- Pan divider bars included,
- Removable sanitary polyethylene cutting board included.

➤ **Shelving**

- (2) Plastic coated wire shelves per section,
- Set of Stainless-Steel shelf brackets,
- Easy remove for cleaning,
- Dimensions WxD: 20-7/8"x25-5/8" (GN 2/1) (530x650 mm),
- Compatible with 18"x26" (457x660 mm) sheet pans.

➤ **Refrigeration**

- Digital temperature controller with automatic defrost system,
- Evaporative pan,
- Forced air refrigeration system,
- Extractable condensing unit for easy service,
- Evaporator coil coated with anti-corrosion material 100% Polyester,
- Refrigeration capacity: 3153 Btu/h (14°F) / 924 W (-10°C).



➤ **Electrical**

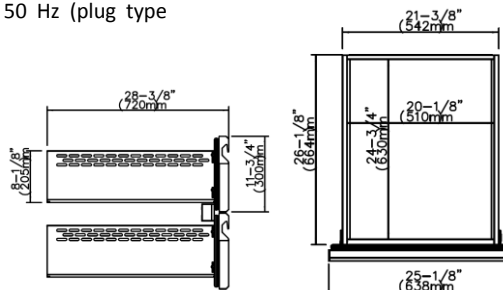
- Cord and NEMA 5-15P plug,
- Electrical connection is 115V / 1ph / 60 Hz.



➤ **ETL Listed to UL471 Standard and Sanitation classified to NSF7.**

**OPTIONAL FEATURES**

- ✓ Set of 6" legs, height adjustable from 5" to 8",
- ✓ Electrical connection is: 220-230 V / 1ph / 50 Hz (plug type varies),
- ✓ Stainless Steel wire shelves,
- ✓ Additional slide kits,
- ✓ Single Overshelf,
- ✓ Double Overshelf,
- ✓ Drawer kit: 25-1/8"x28-3/8"x11-3/4" (638x720x300 mm).

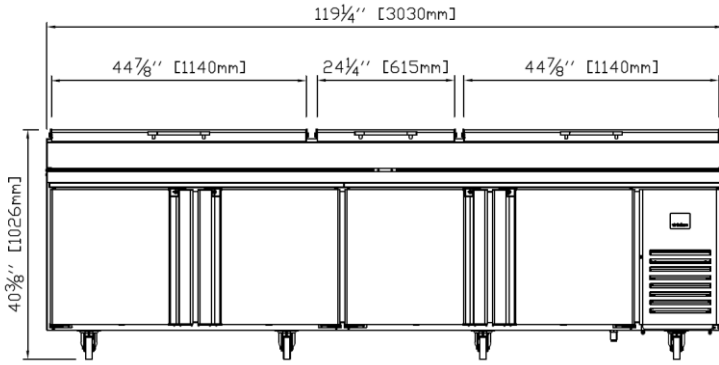


ETL LISTED TO UL471 STANDARD AND SANITATION CLASSIFIED TO NSF7 - WE RESERVE THE RIGHT TO CHANGE SPECIFICATIONS WITHOUT PRIOR NOTICE

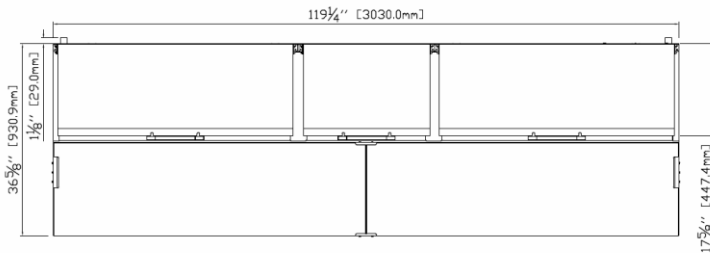
**MODEL: IRT-MR119EN** **UNDERCOUNTER:**  
**Pizza Prep Tables**

**PLAN VIEW**

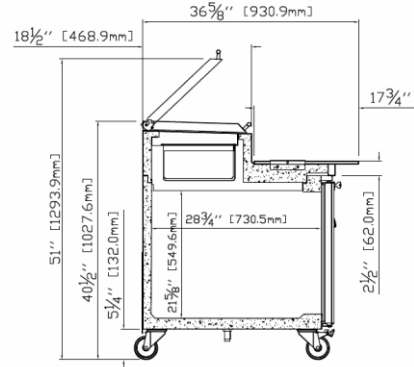
**ELEVATION**



**PLAN VIEW**



**RIGHT VIEW**



FTL LISTED TO UL471 STANDARD AND SANITATION CLASSIFIED TO NSF7 - WE RESERVE THE RIGHT TO CHANGE SPECIFICATIONS WITHOUT PRIOR NOTICE



**Infrico USA Corp.**  
1409 N.W. 84th Avenue  
Doral, FL 33126  
1.305.777.9599 Office  
1.305.777.9598 Fax

[www.infrico.us](http://www.infrico.us)  
sales@infrico.com

APPROVALS: \_\_\_\_\_ AVAILABLE AT: \_\_\_\_\_