



Project: \_\_\_\_\_  
 Location: \_\_\_\_\_  
 Item #: \_\_\_\_\_ Quantity: \_\_\_\_\_  
 Model #: \_\_\_\_\_

**MODEL: IRR-AGB45RI** **REACH-IN:**  
**Top Mounted Reach-in Refrigerators – Roll-In.**



**General Strengths**

- ✓ **Doors.** Self-closing door system with permanent pressure. Stay open feature included when door remains open after 95 degrees. All doors include triple chamber door gaskets, easy to remove and snap in. Doors are field reversible.
- ✓ **Control systems.** Higher precision in managing temperature settings. Greater ability to adjust of temperature ranges as per the end user's requirement.
- ✓ **100% Tested.** All condenser units are tested 100%, in helium chambers to refrigerant leak detections.
- ✓ **Certified.** Audited and Certified by **INTERTEK** for compliance with UL 471 and NSF 7. AENOR audited and certified by internationally recognized firm. ISO 9001:2008 (Quality); ISO 14001:2004 (Environmental); OSHA 18001:2007 (Prevention and Worker Safety)

MODEL	Dimensions (inches) (mm)			N° Door	N° Shelves	Ref.	Ref. Weight (Lbs.) (gr.)	Temp. Range (°F) (°C)	Capacity (Cu. Ft.) (L)	Cond. Unit. H.P.	Case Amps 115V.	Crated Weight (Lbs.) (Kg.)
	W	D	H									
IRR-AGB45RI	37-1/4	41-3/4	93	1	-	R134a	0.88	33°F/38°F	45.24	5/8	6.7	320
	946	1060	2362									

ETL LISTED TO UL471 STANDARD AND SANITATION CLASSIFIED TO NSF7 – WE RESERVE THE RIGHT TO CHANGE SPECIFICATIONS WITHOUT PRIOR NOTICE



**Infrico USA Corp.**  
 7042 N.W. 46th Street  
 Miami, FL 33166  
 1.305.777.9599  
 Office  
 1.305.777.9598 Fax

**www.infrico.us** **APPROVALS: AVAILABLE AT:**  
 service@infrico.com  
 sales@infrico.com



Project: \_\_\_\_\_  
 Location: \_\_\_\_\_  
 Item #: \_\_\_\_\_ Quantity: \_\_\_\_\_  
 Model #: \_\_\_\_\_

**MODEL: IRR-AGB45RI** **REACH-IN:**  
**Top Mounted Reach-in Refrigerators – Roll-In.**

**STANDARD FEATURES**

➤ **Exterior and Interior**

- AISI 304 Stainless Steel.
- Built with removable panel for easy installation,
- Isolated lower side with 0,8" (20 mm) thick with ramp included,

➤ **Doors**

- Polyurethane insulated door,
- Self closing door with stay open feature,
- Heavy-duty hinges,
- Triple chamber snap in door seals for easy removal and cleaning,
- Field reversible door,
- Doors locks,
- Full-height door opening 27-5/8" x 72-7/8" (702x1851 mm).

➤ **Electrical**

- Cord and NEMA 5-15P plug,
- Electrical connection is 115V / 1ph / 60 Hz.



➤ **Refrigeration**

- Digital temperature controller with automatic defrost system,
- Compact refrigeration system monoblock, INFRIBLOCK®,
- Evaporative pan,
- Evaporator coil coated with anti-corrosion material 100% Polyester,
- Forced air refrigeration system,
- Refrigerant gas R134a,



➤ **Insulation**

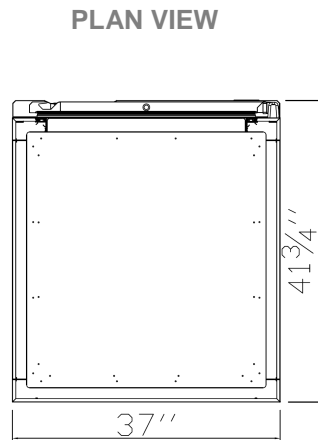
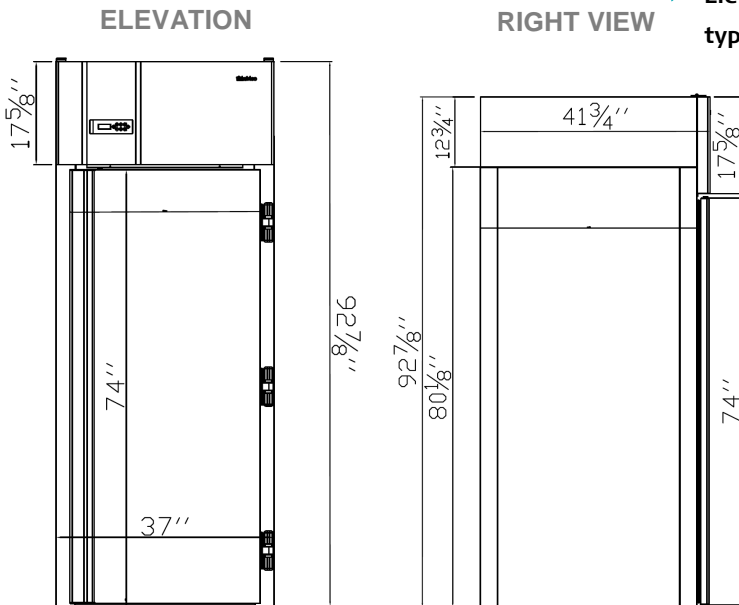
- CFC-Free polyurethane insulation, entire cabinet structure is foamed-in place using a high density polyurethane insulation 3-1/8" (80 mm) thick,
- Low GWP & Zero ODP effect.

➤ **ETL Listed to UL471 Standard and Sanitation classified to NSF7.**

**PLAN VIEW**

**OPTIONAL FEATURES**

- ✓ Electrical connection is 220-230 V / 1ph / 50 Hz (plug type varies).



ETL LISTED TO UL471 STANDARD AND SANITATION CLASSIFIED TO NSF7 – WE RESERVE THE RIGHT TO CHANGE SPECIFICATIONS WITHOUT PRIOR NOTICE



**Infrico USA Corp.**  
 7042 N.W. 46th Street  
 Miami, FL 33166  
 1.305.777.9599  
 Office  
 1.305.777.9598 Fax

**www.infrico.us**  
 service@infrico.com  
 sales@infrico.com

**APPROVALS: AVAILABLE AT:**