

Project: \_\_\_\_\_

Location: \_\_\_\_\_

Item #: \_\_\_\_\_ Quantity: \_\_\_\_\_

Model #: \_\_\_\_\_

**MODEL: IBC-ABT201CBI**

**Blast Chillers and Shock Freezers – 20 Trays (Roll-In)**



### General Strengths

- ✓ **Blast Chiller Functions.** Blast chillers and freezers, quickly reduce the core temperature of the products, whether they are cooked or fresh, conserving their fresh texture, hygiene and quality, while reducing the risk of bacteria generating.
- ✓ **Sanitation.** The interior cabinet is built with rounded corners (extensive radius for easy cleaning).
- ✓ **Doors.** Stay open feature included when door remains open after 95 degrees. All doors include triple chamber door gaskets, easy to remove and snap in.
- ✓ **Control systems.** Higher precision in managing temperature settings. Greater ability for the adjustment of temperature ranges as per the end user's requirement.
- ✓ **100% Tested.** All condenser units are 100% tested, in helium chambers for refrigerant leak detections.
- ✓ **Certified.** Audited and Certified by **INTERTEK** for compliance with UL 471 and NSF 7. AENOR audited and certified by internationally recognized firm. ISO 9001:2015 (Quality); ISO 14001:2015 (Environmental); OSHAS 18001:2007 (Prevention and Worker Safety)
- ✓ **Compatible with RATIONAL.**

Revision: 05 Date: 07/05/2017 IBC-ABT201CBI\_FT\_62\_5

MODEL	Dimensions (inches) (mm)			Nº Doors	Nº Trays	Ref.	Ref. Weight (Lbs.) (gr.)	Temp. Range (ºF) (ºC)	Capacity Chiling/Freezing (Lbs.) (Kg)	Cond. Unit. H.P.	Case Amps (220V.)	Crated Weight (Lbs.) (Kg.)
	W	D	H									
IBC- ABT201CBI	47-1/4	43-1/8	97	1	20	R404A	4.41	-40ºF	180 / 120	4	21	1200
	1200	1095	2463									

FTL LISTED TO UL471 STANDARD AND SANITATION CLASSIFIED TO NSF7 - WE RESERVE THE RIGHT TO CHANGE SPECIFICATIONS WITHOUT PRIOR NOTICE



**Infrico USA Corp.**  
 1409 N.W. 84th Avenue  
 Doral, FL 33126  
 1.305.777.9599 Office  
 1.305.777.9598 Fax

[www.infrico.us](http://www.infrico.us)  
[sales@infrico.com](mailto:sales@infrico.com)

APPROVALS: \_\_\_\_\_ AVAILABLE AT: \_\_\_\_\_

**MODEL: IBC-ABT201CBI**
**Blast Chillers and Shock Freezers – 20 Trays (Roll-In)**
**STANDARD FEATURES**

- **Mobile racks:** The cabinet can accommodate one mobile rack with maximum dimensions of 25" wide, 18" deep and 70" high.
- **Exterior**
  - AISI 304 Stainless Steel,
  - Compliant with HACCP regulations.
- **Interior**
  - AISI 304 Stainless Steel,
  - Sealed interior floors and rounded cabinet corners,
  - Includes a heated conical probe which is easy to use and remove.
- **Insulation**
  - CFC-Free polyurethane insulation, entire cabinet structure is foamed-in using a high-density polyurethane insulation,
  - Low GWP & Zero ODP effect.
- **Doors**
  - Polyurethane insulated door,
  - Self closing door with stay open feature,
  - Heavy-duty hinges with horizontal and vertical adjustment,
  - Triple chamber snap in door gaskets for easy removal and cleaning,
  - Heated door frame to avoid accumulation of ice.
- **Refrigeration**
  - Control panel with an easy to read screen and menu,
  - Manual defrost during cycles and automatic defrost during maintenance,
  - Evaporator coil coated with anti-corrosion material 100% polyester,
  - Forced air refrigeration system,
  - **Blast chilling:** +194°F (+90°C) to +37°F (3°C) in less than 90 minutes,
  - **Blast freezing:** +194°F (+90°C) to 0°F (-18°C) in less than 4 hours,
- **Digital Control**
  - Interactive control screen & menu,
  - Up to 99 different customized cycles,
  - USB Connection. 
- **Electrical**
  - Cord only included,
  - Electrical connection for the Digital Controller is 220V / 3ph / 60 Hz,
  - Must be connected to 45 Amp. circuit breaker!
- **ETL Listed to UL471 Standard and Sanitation classified to NSF7.**

ETL LISTED TO UL471 STANDARD AND SANITATION CLASSIFIED TO NSF7 – WE RESERVE THE RIGHT TO CHANGE SPECIFICATIONS WITHOUT PRIOR NOTICE

Project: \_\_\_\_\_

Location: \_\_\_\_\_

Item #: \_\_\_\_\_ Quantity: \_\_\_\_\_

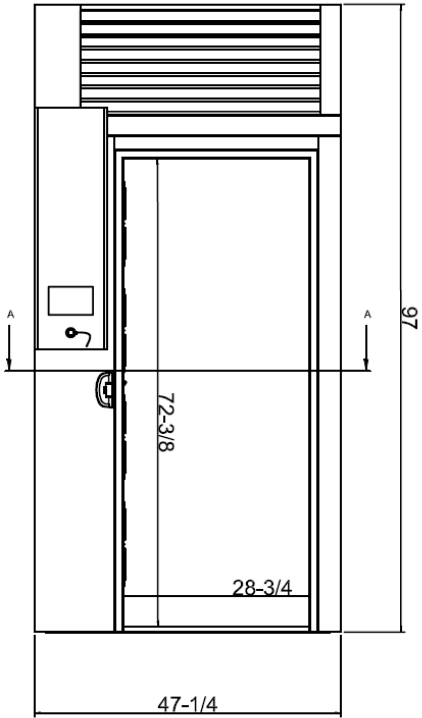
Model #: \_\_\_\_\_

**MODEL: IBC-ABT201CBI**

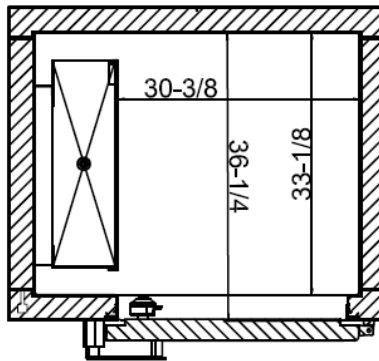
**Blast Chillers and Shock Freezers – 20 Trays (Roll-In)**

**PLAN VIEW**

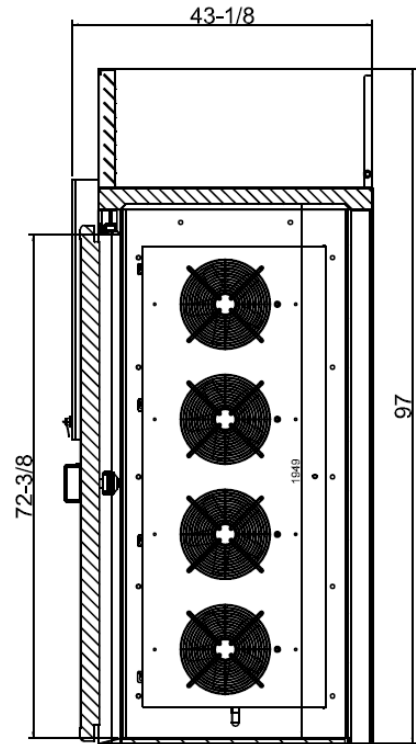
ELEVATION



PLAN VIEW



RIGHT VIEW



Revision: 05 Date: 07/05/2017 IBC-ABT201CBI\_FT\_62\_5

ETL LISTED TO UL471 STANDARD AND SANITATION CLASSIFIED TO NSF7 - WE RESERVE THE RIGHT TO CHANGE SPECIFICATIONS WITHOUT PRIOR NOTICE



**Infrico USA Corp.**  
 1409 N.W. 84th Avenue  
 Doral, FL 33126  
 1.305.777.9599 Office  
 1.305.777.9598 Fax

[www.infrico.us](http://www.infrico.us)  
[sales@infrico.com](mailto:sales@infrico.com)

APPROVALS: \_\_\_\_\_ AVAILABLE AT: \_\_\_\_\_