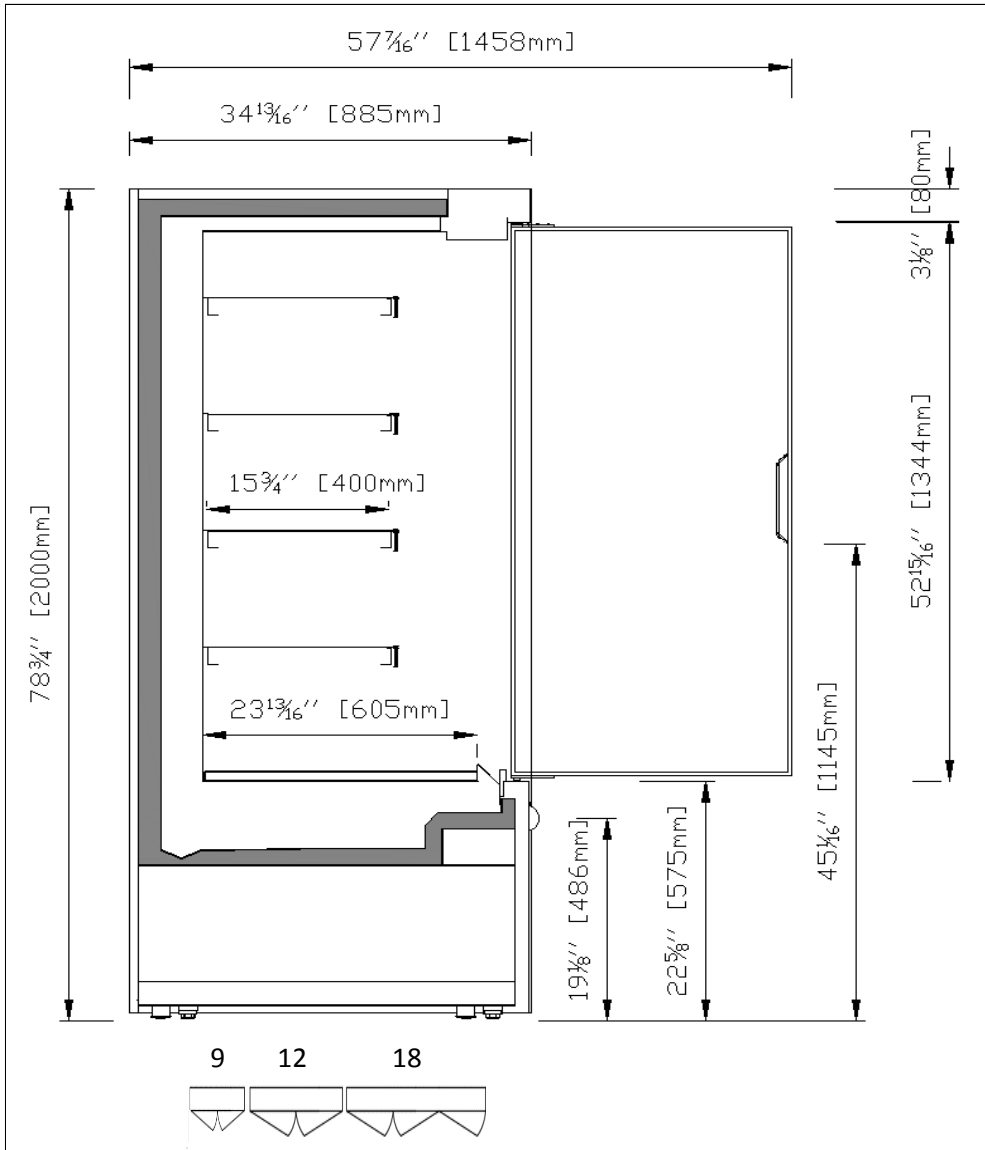




NUMBER DTI-19519UL
MODEL ML**DCM1 | ML**DCIM1
EDITION 0
DATE 10/10/2019
VERSION 00





MODEL	
ML**DCM1 ML**DCIM1	
MODULES	
Edition :	0
Date:	10/10/2019
Code :	DTI-19519UL
version:	00
In accordance with: UL471 and NSF7	
SIDES	
a: Display b: Mirror	
a	b

MERCHANDISING DATA

		MODELS				
		ML9DCM1	ML12DCM1	ML18DCM1		
Length (with sides included)	in		40	52 1/3	77	
	mm		1018	1330	1955	
Refrigerated area	Ft ²		26 3/8	35	52 5/8	
	m ²		2,45	3,26	4,89	
Useful volume	Ft ³		21 1/4	28 1/3	42 1/2	
	Lts		602	803	1204	
TDA - Total Display Area	Ft ²		12 3/5	16 4/5	25 1/5	
	m ²		1,17	1,56	2,34	
N° of doors			2	2	3	
N° of shelves			4			
Control			DIGITAL			
Weight	Lbs		485	697	908	
	Kg		220	316	412	
Packaging dimensions	in		44 x 85 5/6 x 38	56 2/7 x 85 5/6 x 38	81 x 85 5/6 x 38	
	mm		1118 x 2180 x 965	1430 x 2180 x 965	2055 x 2180 x 965	

Volts / Frequency
115v-220v / 60Hz.

NOISE LEVEL
63dB

REFRIGERANT
R404a

MODEL
ML**DCM1 ML**DCIM1

REFRIGERATION DATA - REGULATION AND CONTROL

INTERIOR TEMPERATURE	SET	M1	
	DIFFERENCIAL	+ 1 °C	34 °F
DEFROST TYPE		2	
N° DEFROST / DAY		NATURAL	
MAXIMUM DEFROST TIME		2	
END DEFROST TEMPERATURE		30'	
MINIMUM DEFROST TIME		6 °C	43 °F
		5'	

In accordance with: UL471 and NSF7

Room Temperature	Relative humidity
24 °C 75 °F	55 %

TEMPERATURE CLASSIFICATION

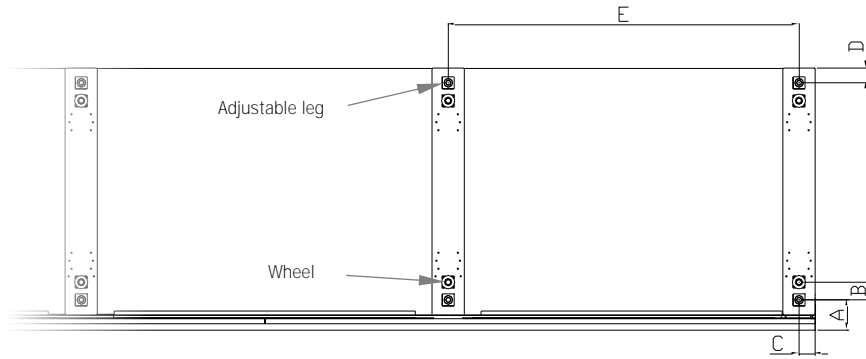
PRODUCT TEMPERATURE	-1	+5 °C	30	41 °F
MEDIUM PRODUCT TEMPERATURE		+ 2 °C		35,6 °F
EVAPORATION	VENTILATED			
CONDENSATION	VENTILATED			
EVAPORATION TRAY	HEATED			

INSTALLATION BASE FURNITURE DATA

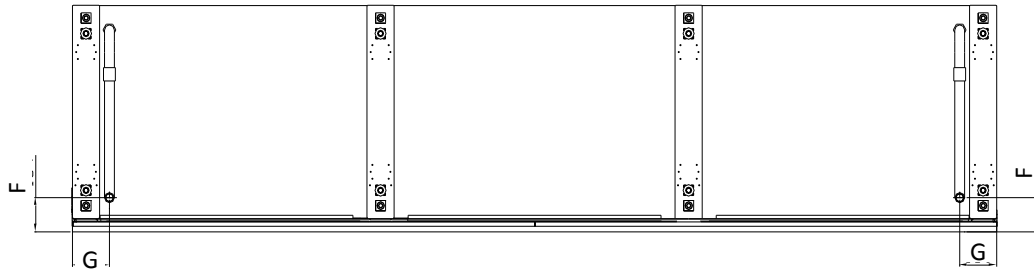
		MODEL			
		ML9DCM1	ML12DCM1	ML18DCM1	
COMPRESSOR	N°	1	1	1	
	V/Frq	115V/60Hz			
	W	711	711	901	
	A	9,61	9,61	10,78	
REFRIGERANT		R404a			
	gr	340	450	530	
EVAPORATOR FANS	N°	1	2	3	
	V/Frq	115V/60Hz			
	W	26	26	26	
	A	0,35	0,35	0,35	
CONDENSER FANS	N°	1	1	1	
	V/Frq	115V/60Hz			
	W	34	34	34	
	A	0,45	0,45	0,45	
EVAPORATION RESISTANCE	V/Frq	115V/60Hz			
	W	900	900	900	
	A	7,83	7,83	7,83	
CANOPY AND SHELVES LIGHTING	LED	V/Frq	115V/60Hz		
		W	52,00	70,50	105,75
		A	0,45	0,61	0,92
AMPERES	(with evaporation resistance)	115v	10,86	11,37	13,20
		115v	18,69	19,20	21,03
CONSUMPTION (draining to general network)	kWh/24h	11,24	12,43	15,18	
CONSUMPTION WITH EVAPORATION RESISTANCE	kWh/24h	22,04	23,23	25,98	

LEGS, WHEELS, DRAINS, ELECTRIC BOX

MODEL
ML**DCM1 | ML**DCIM1



	A		B		C		D		E	
	in	mm	in	mm	in	mm	in	mm	in	mm
ML09	4	102,5	2 1/3	60	2 1/6	55	2	49,5	-	-
ML12	4	102,5	2 1/3	60	2 1/6	55	2	49,5	-	-
ML18	4	102,5	2 1/3	60	2 1/6	55	2	49,5	34 3/4	882,5



	F		G	
	in	mm	in	mm
ML09	5 2/7	134	6	150
ML12	5 2/7	134	6	150
ML18	5 2/7	134	6	150

