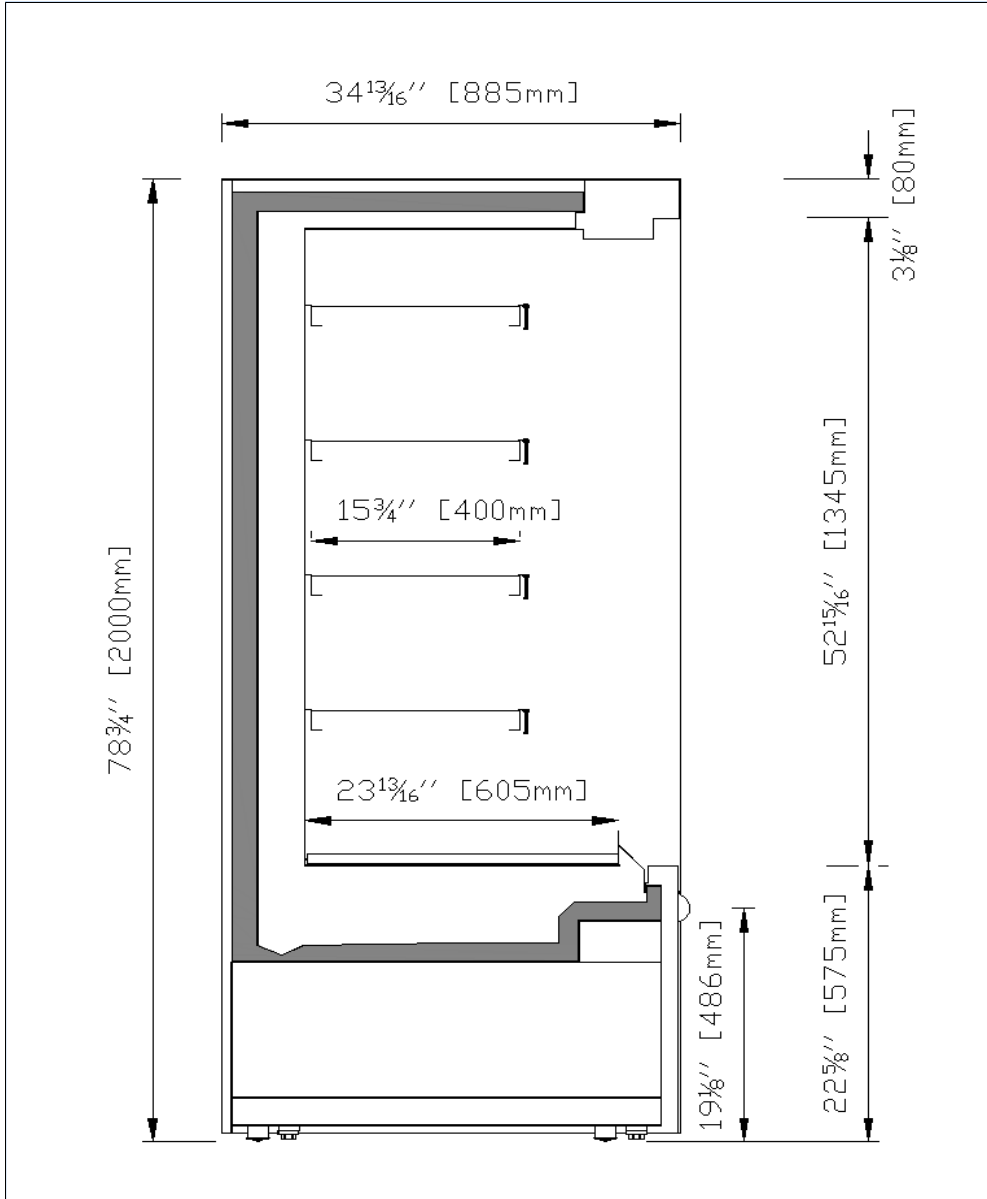




NUMBER	DTI-19526UL
MODEL	ML**CM1 ML**IM1
EDITION	0
DATE	26/09/2019
VERSION	00





MODEL	
ML**CM1 ML**IM1	
MODULES	
Edition :	0
Date:	26/09/2019
Code :	DTI-19526UL
version:	00
In accordance with: UL471 and NSF7	
SIDES	
a: Display b: Mirror	

MERCHANDISING DATA

		MODELS		
		ML9M1	ML12M1	ML18M1
Length (with sides included)	in	40	52 1/3	77
	mm	1018	1330	1955
Refrigerated area	Ft ²	26 3/8	35	52 5/8
	m ²	2,45	3,26	4,89
Useful volume	Ft ³	21 1/4	28 1/3	42 1/2
	Lts	602	803	1204
TDA - Total Display Area	Ft ²	14 1/5	19	28 3/7
	m ²	1,32	1,76	2,64
N° of shelves		4		
Control		DIGITAL		
Weight	Lbs	441	642	831
	Kg	200	291	377
Packaging dimensions	in	44 x 85 5/6 x 38	56 2/7 x 85 5/6 x 38	81 x 85 5/6 x 38
	mm	1118 x 2180 x 965	1430 x 2180 x 965	2055 x 2180 x 965

Volts / Frequency
115v-220v / 60Hz.

NOISE LEVEL
63dB

REFRIGERANT
R404a

MODEL
ML**CM1 ML**IM1

REFRIGERATION DATA - REGULATION AND CONTROL

		M1	
INTERIOR TEMPERATURE	SET	+ 0 °C	32 °F
	DIFFERENCIAL	2	
DEFROST TYPE		NATURAL	
N° DEFROST / DAY		6	
MAXIMUM DEFROST TIME		30'	
END DEFROST TEMPERATURE		8 °C	46 °F
MINIMUM DEFROST TIME		5'	

In accordance with:	UL471 and NSF7
---------------------	----------------

Room Temperature	Relative humidity
24 °C 75 °F	55 %

TEMPERATURE CLASSIFICATION

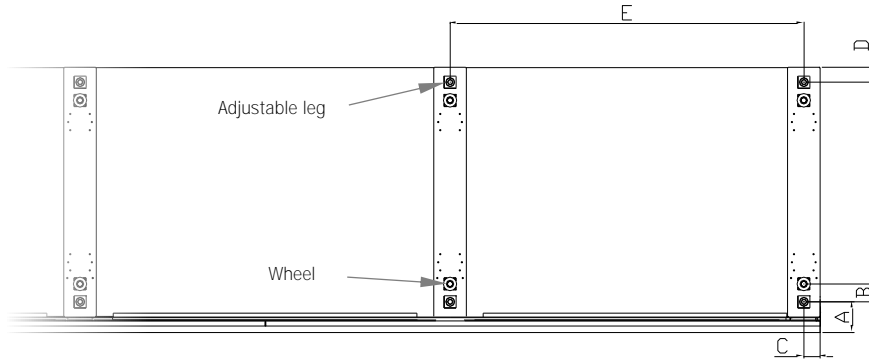
PRODUCT TEMPERATURE	-1 +5 °C	30 41 °F
MEDIUM PRODUCT TEMPERATURE	+ 2 °C	35,6 °F
EVAPORATION	VENTILATED	
CONDENSATION	VENTILATED	
EVAPORATION TRAY	HEATED	

INSTALLATION BASE FURNITURE DATA

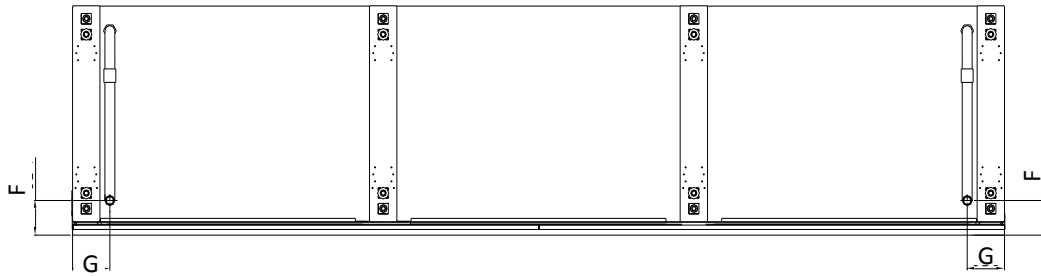
		MODEL			
			ML9M1	ML12M1	ML18M1
COMPRESSOR	N°		1	1	1
	V/Frq		220V/60Hz		
	W		909	909	1552
	A		5,65	5,65	7,21
REFRIGERANT			R404a		
	gr		650	700	1100
EVAPORATOR FANS	N°		1	2	3
	V/Frq		115V/60Hz		
	W		26	26	26
	A		0,35	0,35	0,35
CONDENSER FANS	N°		1	2	2
	V/Frq		115V/60Hz		
	W		34	34	34
	A		0,45	0,45	0,45
EVAPORATION RESISTANCE	V/Frq		115V/60Hz		
	W		900	900	900
	A		7,83	7,83	7,83
CANOPY AND SHELVES LIGHTING	LED	V/Frq	115V/60Hz		
		W	52,00	70,50	105,75
		A	0,45	0,61	0,92
AMPERES (with evaporation resistance)		220v	5,65	5,65	7,21
		115v	1,25	2,21	2,87
		115v	9,08	10,04	10,70
CONSUMPTION (draining to general network)	kWh/24h		19,42	27,55	29,13
CONSUMPTION WITH EVAPORATION RESISTANCE	kWh/24h		33,83	41,96	43,53

LEGS, WHEELS, DRAINS, ELECTRIC BOX

MODEL
ML**CM1 | ML**IM1



	A		B		C		D		E	
	in	mm	in	mm	in	mm	in	mm	in	mm
ML09	4	102,5	2 1/3	60	2 1/6	55	2	49,5	-	-
ML12	4	102,5	2 1/3	60	2 1/6	55	2	49,5	-	-
ML18	4	102,5	2 1/3	60	2 1/6	55	2	49,5	34 3/4	882,5



	F		G	
	in	mm	in	mm
ML09	5 2/7	134	6	150
ML12	5 2/7	134	6	150
ML18	5 2/7	134	6	150

